



**SPIERINGS
KRAMEN**

Mark: **SPIERINGS** Type: **SK598-AT5**

Crane identification

Serial number:

Year of construction:

Crane group : 3 as per NEN 2018
 Loadspectrum : 2 as per NEN 2018
 Classification : A as per NEN 2018
 Stability : as per NEN 2022

Identification-
number
92 tm

Max. load
8,0 tonne

Max. radius
with max. load
12,8 m

Max. capacity
103 tm

Max. jiblength
48 m

Speeds

Jib horizontal / jib 30° luffed

	m/min	kg
	20	8000
	30	4000
	45	2000
	75	0
	0 - 70 m/min	
	0-0,8 rpm	

All motions with hydraulic proportional controls
 Luffing the jib 30° can be controlled from crane cab or via remote control

Driving with erected tower and jib, only with the jib horizontal and positioned over the front carriage, platform locked to the carrier and the outriggers fully extended (max. inclination 2°)
 Rated lifting capacity is net capacity

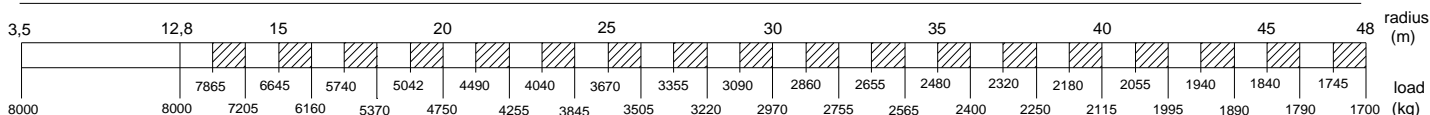
Crane equipped with full counterweight: 8700 kg
 360° continuous slewing, with outriggers out and down
 2 Outriggers positions: 7,20 x 7,20 m
 7,20 x 5,65 m

Operation allowed up to a windforce of 8 on the Beaufortscale. (wind speed 20 m/sec.)
 Sail area of the load max. 1,0 m²/ tonne at a windforce of 8 on the Beaufortscale.
 Operating temperature range from -15° to 40° C.
 In all cases 2 parts of line
 Max. line pull force 4000 kg
 The crane should be folded in at a windforce >10 (24m/sec) or when not in use for a longer period

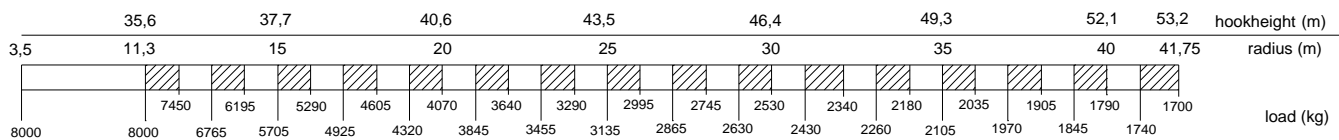
LIFTING CHART Outrigger spread 7,20 m x 7,20 m

Jib horizontal

hookheight 23,8 / 30 m (height under jib 25,8 / 32 m)



Jib 30° luffed



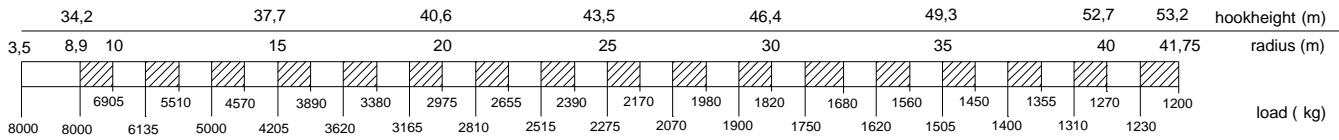
LIFTING CHART Outrigger spread 7,20 m x 5,65 m

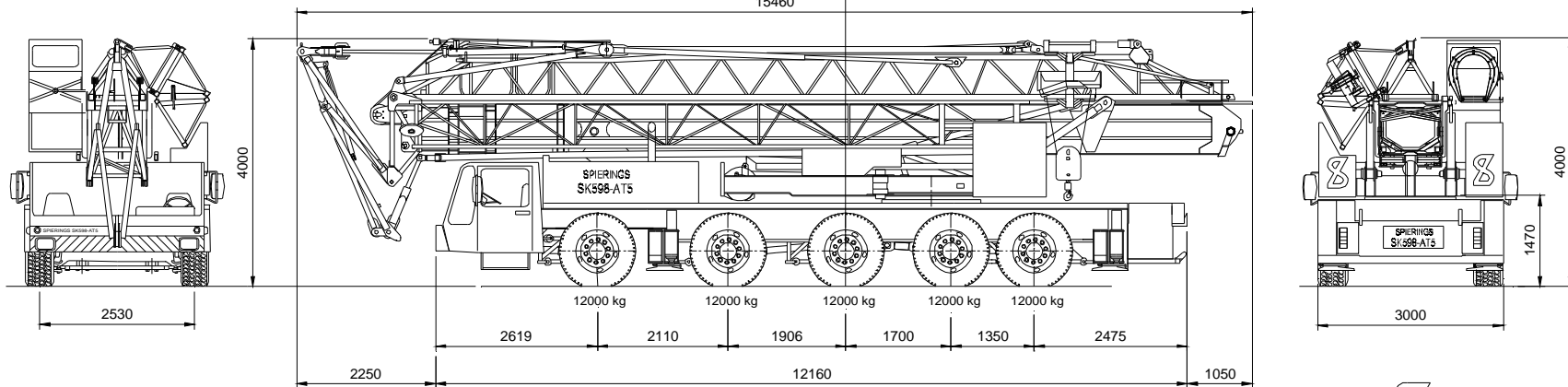
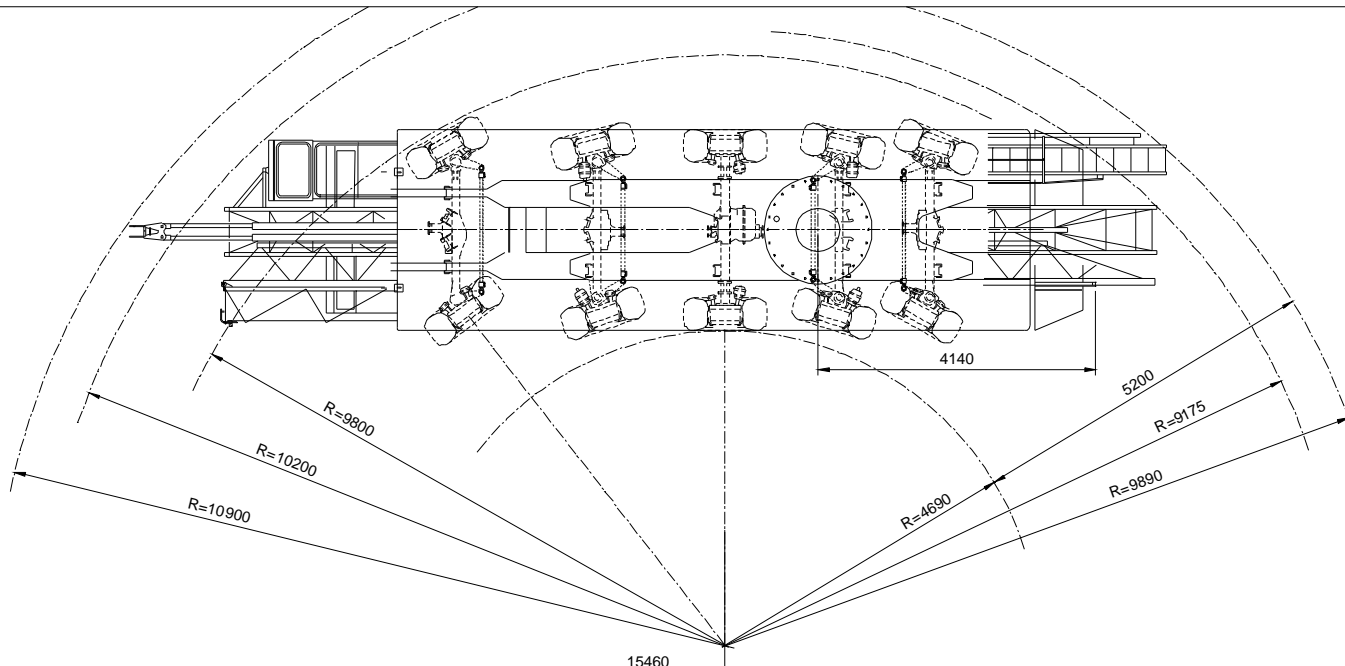
Jib horizontal

hookheight 23,8 / 30 m (height under jib 25,8 / 32 m)



Jib 30° luffed





SPIERINGS HYDRAULIC FOLDING CRANE

SK 598 - AT5

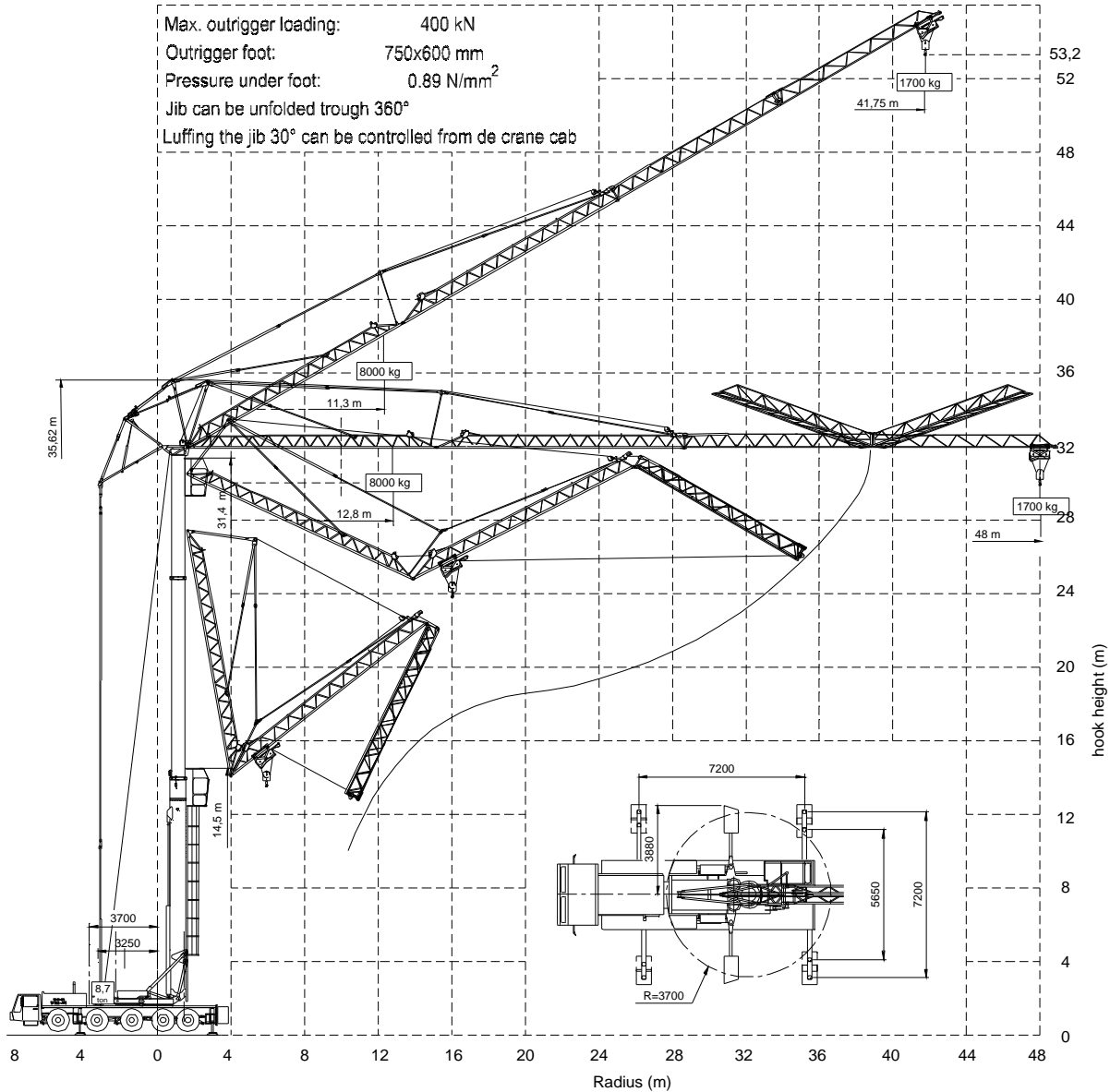
Total weight: 60000kg
Changes subject to modifications



Merwedestraat 15\
5347 KZ Oss NL
Tel. 0412-626964
Fax 0412-645299

SPIERINGS HYDRAULIC FOLDING CRANE SK 598 - AT5

Max. outrigger loading: 400 kN
 Outrigger foot: 750x600 mm
 Pressure under foot: 0.89 N/mm²
 Jib can be unfolded trough 360°
 Luffing the jib 30° can be controlled from de crane cab

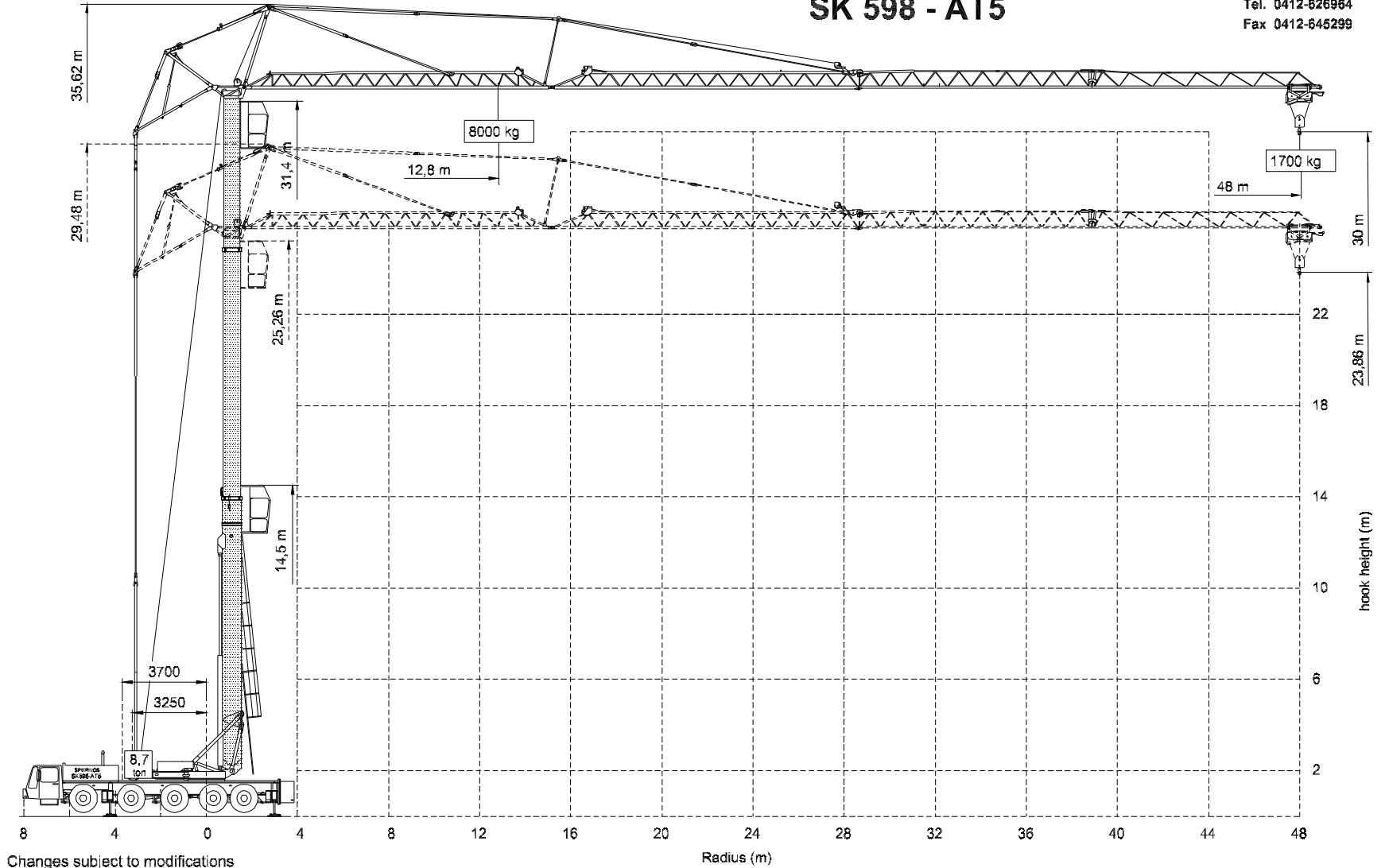


Changes subject to modifications

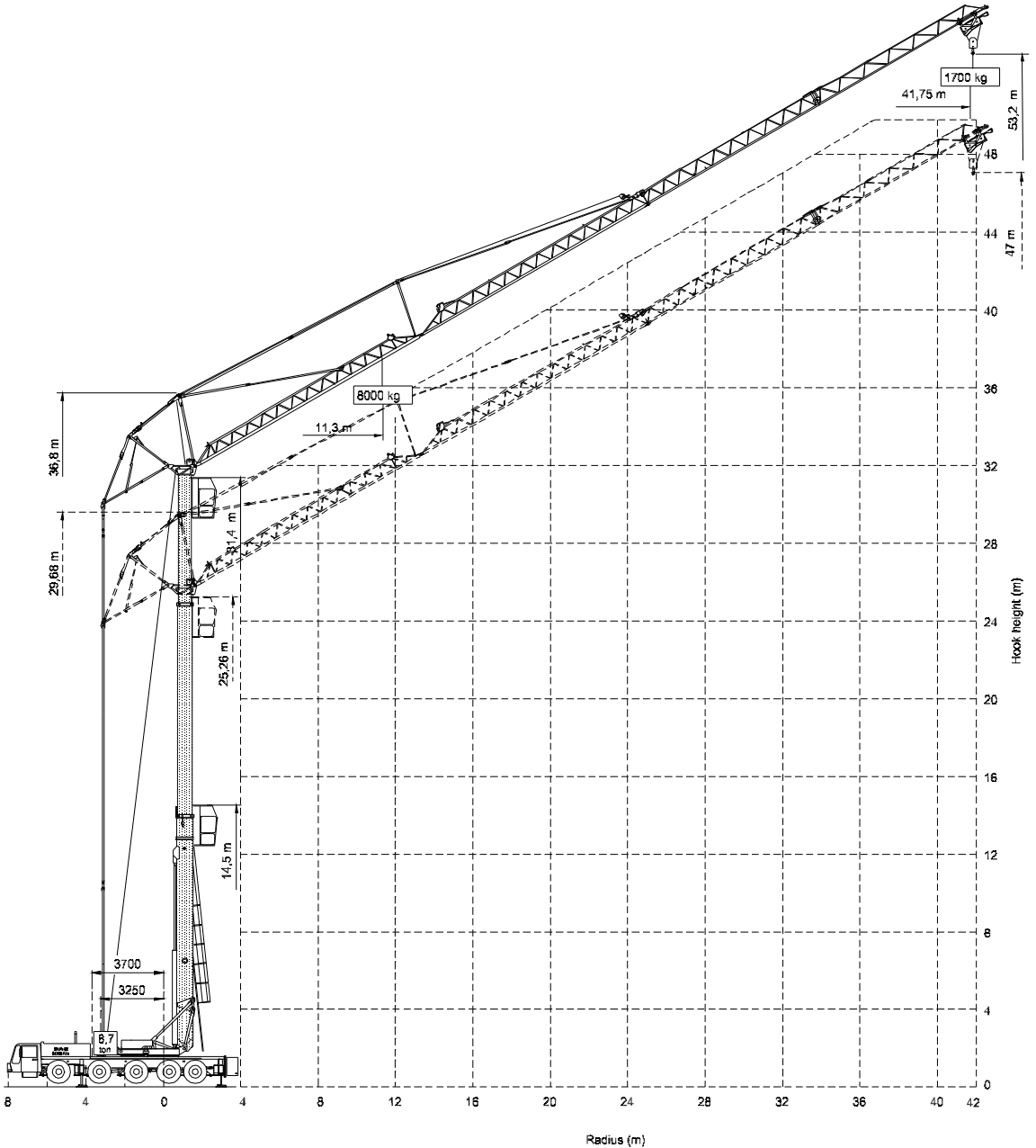

**SPIERINGS
KRANEN** bv
 Merwedestraat 15
 5347 KZ Oss NL
 Tel. 0412-626964
 Fax 0412-645299

SPIERINGS HYDRAULIC FOLDING CRANE SK 598 - AT5

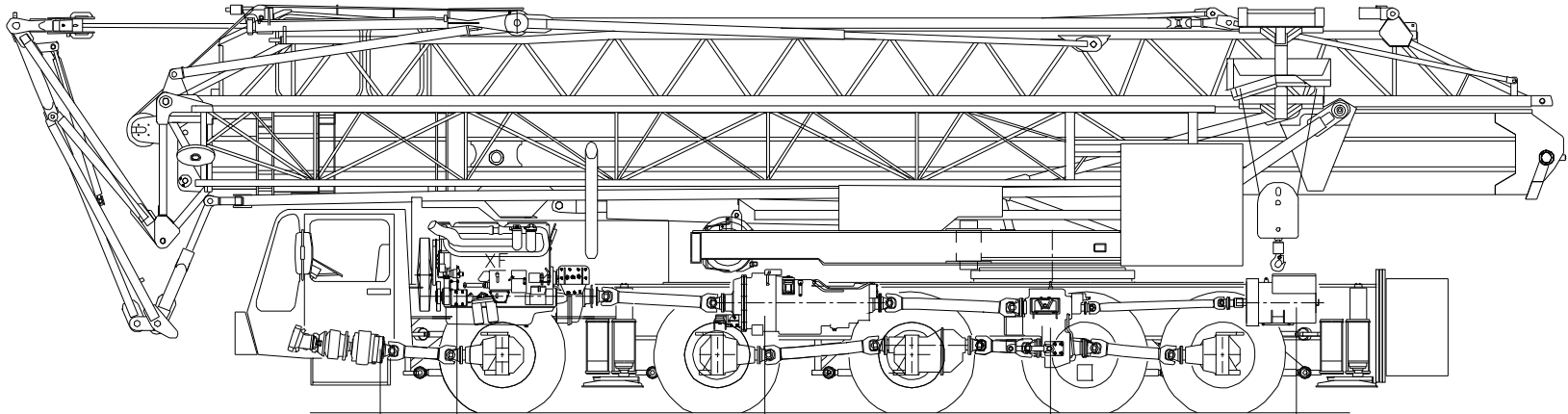

**SPIERINGS
KRANEN** bv
 Merwedestraat 15
 5347 KZ Oss NL
 Tel. 0412-626964
 Fax 0412-645299



SPIERINGS
HYDRAULIC FOLDING CRANE
SK 598 - AT5



Drive train SPIERINGS SK598-AT5



Hydraulic front axle drive
HYAUDINE hydro-adj. motor A6VM
BREVINI planetary gearbox:
ED 2090 FE / 14,3

Axle 1

Axle 2

Diesel engine :
DAF XF 315M
Power: 315 Kw (2000 rpm)
Torque: 1900 Nm (1050 rpm)

Axle 3

Gearbox
ZF 16S221 + WSK400
Manually operated with air power ass.
+ Dry plate clutch
+ intarder

Axle 4

Axle 5

Transfercase
STEYR VG2001/396
Road gear $i=1:0,89$
Off-road gear $i=1:1,54$

Generator:
LSA 44.1M4 - 85kVA

Axles 1,2,3 and 5 : GINAF axles with DAF drive components
Axle 4 : GINAF axle, not driven
Suspension: Hydro-pneumatic on all axles, stroke ram 210 mm
Max. speed carrier : 80 km/h
Min. speed carrier (engine speed 1000 rpm) : 1,6 km/h

SPIERINGS HYDRAULIC FOLDING CRANE Typ SK598-AT5


**SPIERINGS
KRANEN** bv
 Merwedestraat 15
 5347 KZ Oss NL
 Tel. 0412-626964
 Fax 0412-645299